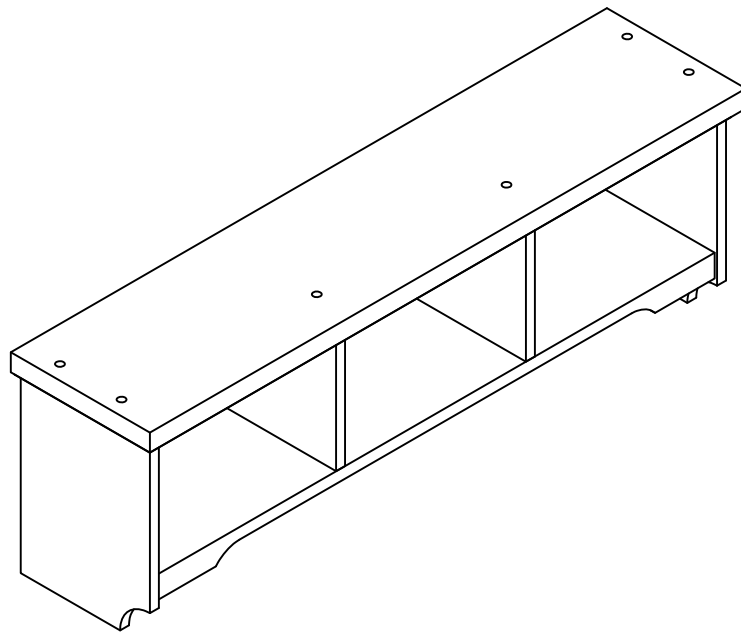
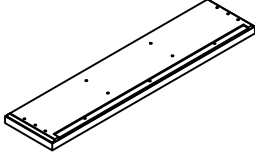



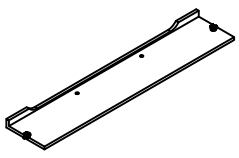
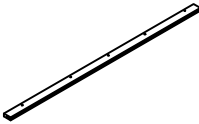
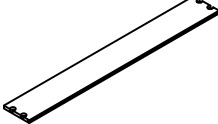
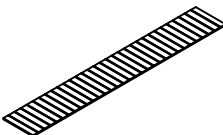
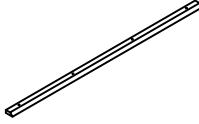
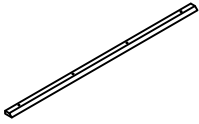




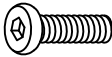



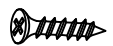
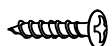



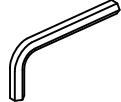
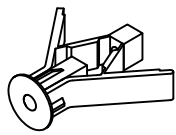
CF6023
Storage Shelf



PART LIST

<p>A</p> 	<p>B</p> 	<p>C</p> 	<p>D</p> 	<p>E</p> 
<p>Top Panel 1 PC</p>	<p>Left Panel 1 PC</p>	<p>Right Panel 1 PC</p>	<p>Partition Panel 2 PCS</p>	<p>Bottom Panel 1 PC</p>
<p>F</p> 	<p>G</p> 	<p>H</p> 	<p>I</p> 	<p>J</p> 
<p>Top Rail 1 PC</p>	<p>Bottom Rail 1 PC</p>	<p>Back Panel 1 PC</p>	<p>Long Support Plate 1 PC</p>	<p>Short Support Plate 1 PC</p>

HARDWARE LIST

#1  Ø1"¼*1"	#2  Ø1/4"*1-3/4"	#3  Ø1/4"*11mm	#4  Ø1/4"*13mm	#5  Ø3mmx1/2"
Bolt 2 PCS	Long Bolt 6 PCS	Spring Washer 8 PCS (Extra 1)	Flat Washer 8 PCS (Extra 1)	Short Screw 8 PCS (Extra 1)
#6  Ø4mmx1"	#7  Ø4mmx1-3/4"	#8  M8x30	#9 	#10  M4
Screw 7 PCS (Extra 1)	Long Screw 4 PCS	Wood Dowel 15 PCS (Extra1)	Hook 4 PCS	Allen Wrench 1 PC
#11  Wall Anchor 4 PCS				

ADDITIONAL TOOLS (Not Provided)

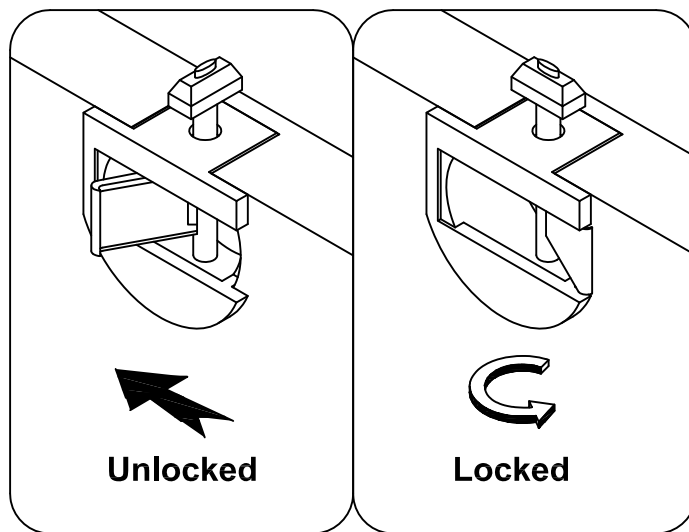
Note: It is not recommended to use power tools during assembly.



Phillips Head Screwdriver

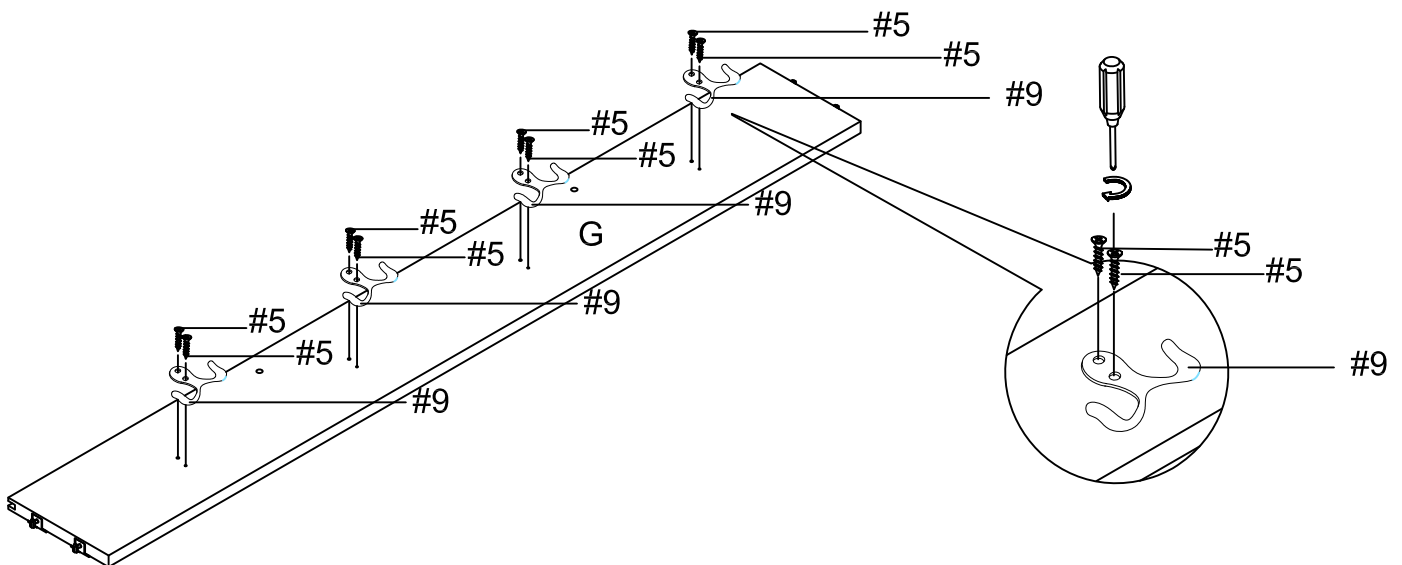
Note: Wood dowels are intended for alignment. Additional clearance between wood dowel and pre-drilled hole is intentional for ease of assembly.



Please do not use tools to assemble this unit unless specifically indicated.



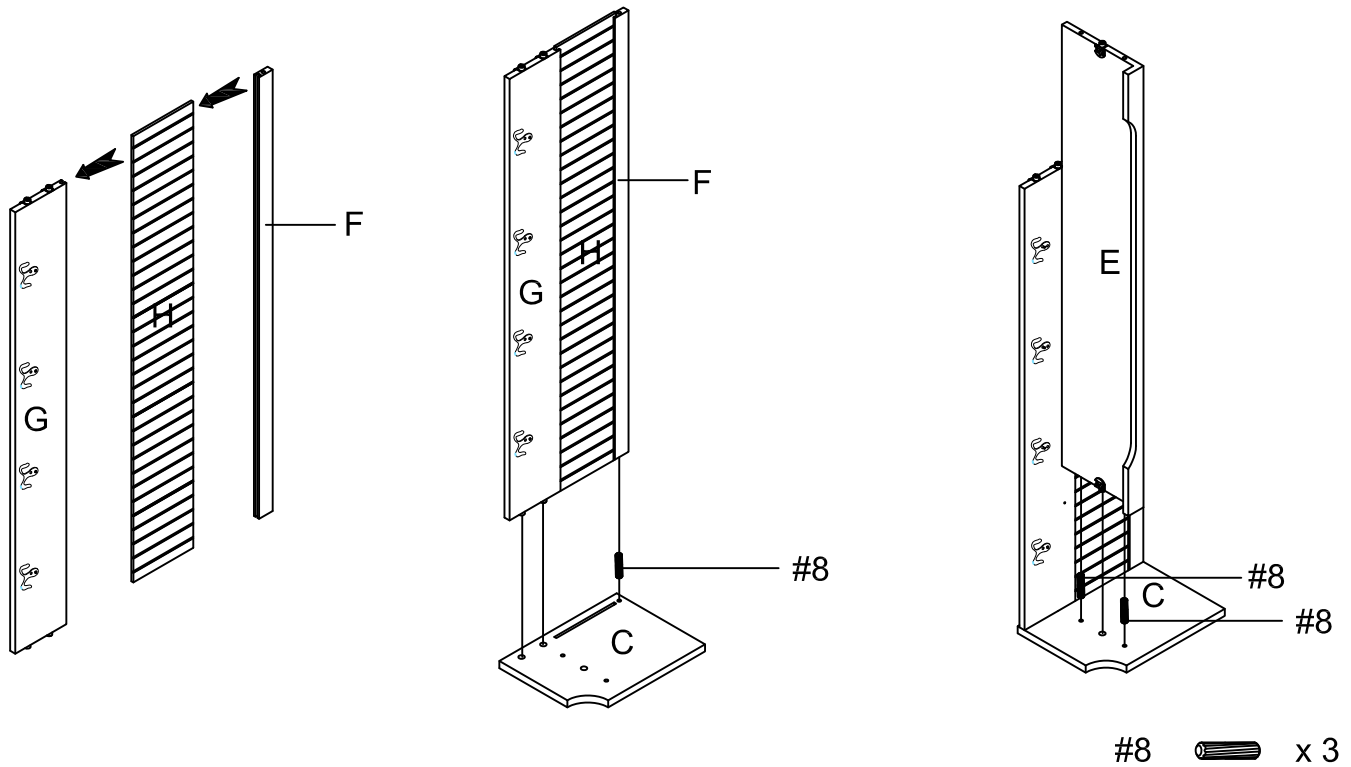
Reference the images above any time the instructions state "lock the hardware".
Note: Be sure to check all hardware is locked when completed.

Step 1. Attach hooks (part #9) to bottom rail (part G) using short screws (part #5) and phillips head screwdriver.

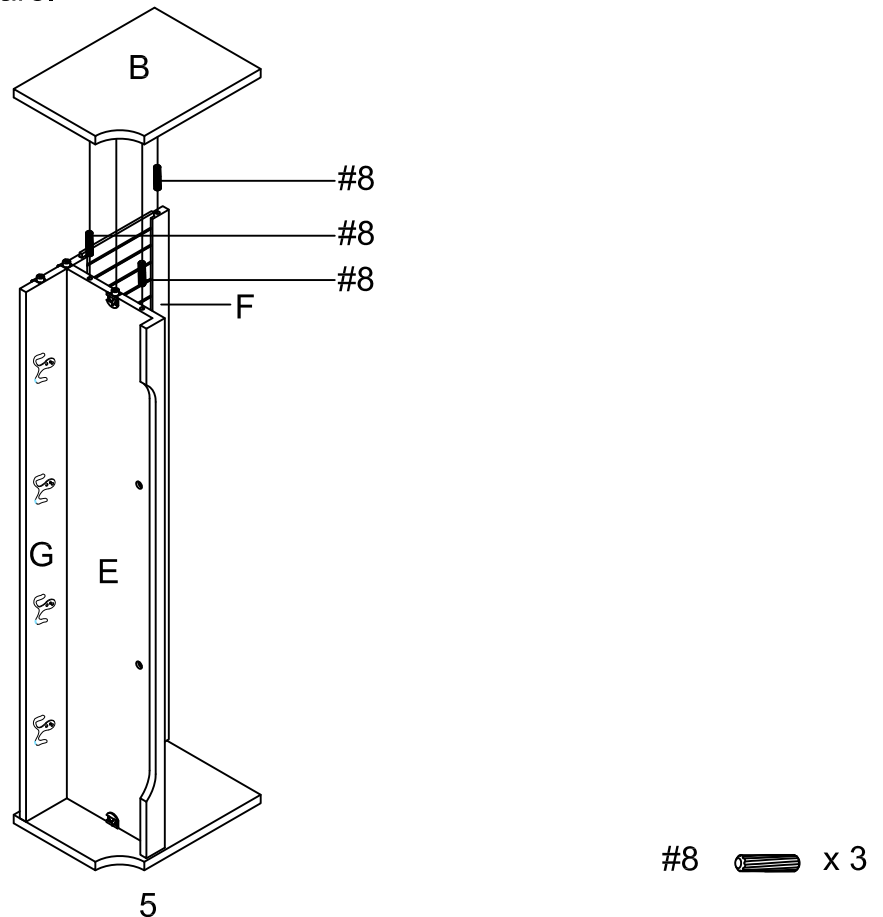


- #5  x 8
- #9  x 4

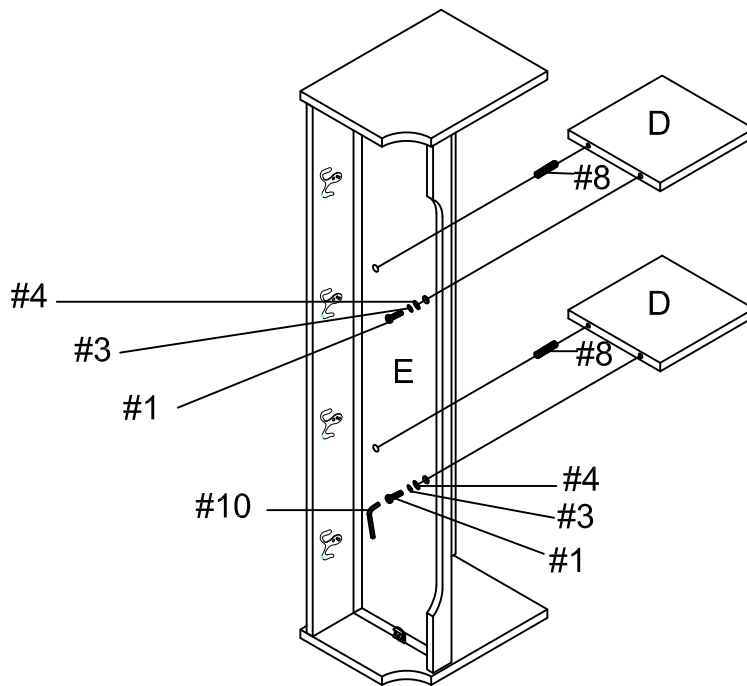
Step 2. Connect top rail (part F) and bottom rail (part G) to back panel (part H). Attach right panel (part C) to assembled unit (parts F, G & H) using wood dowel (part #8) and lock the hardware. Attach bottom panel (part E) to right panel (part C) using wood dowels (part #8) and lock the hardware.








Step 3. Attach left panel (part B) to assembled unit (parts E, F, G & H) using wood dowels (part #8) and lock the hardware.

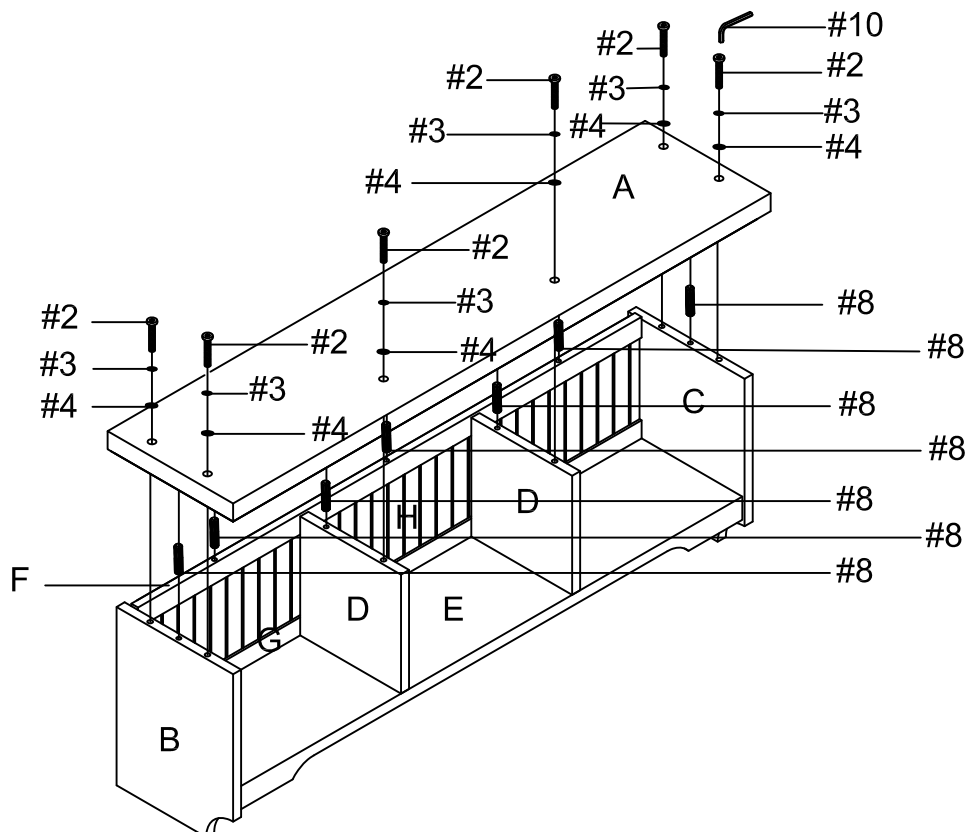







Step 4. Attach partition panels (part D) to bottom panel (part E) using bolts (part #1), spring washers (part #3), flat washers (part #4), wood dowels (part #8) and allen wrench (part #10).



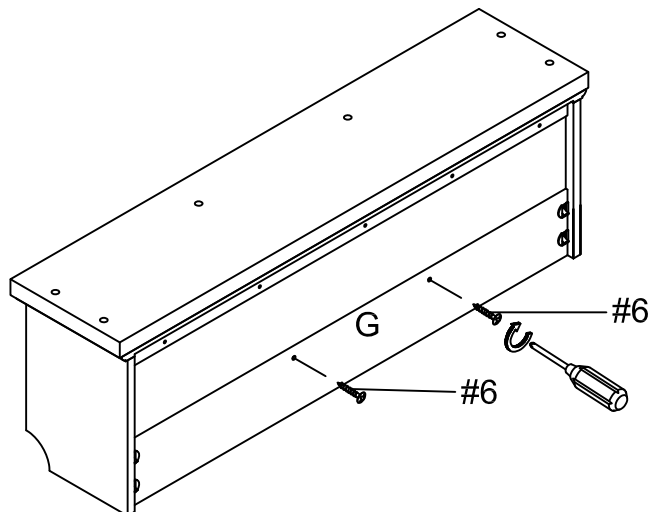
- #1  x 2
- #3  x 2
- #4  x 2
- #8  x 2
- #10  x 1

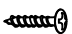
Step 5. Carefully turn unit upright. Attach top panel (part A) to assembled unit (parts B, C, D & F) using long bolts (part #2), spring washers (part #3), flat washers (part #4), wood dowels (part #8) and allen wrench (part #10).



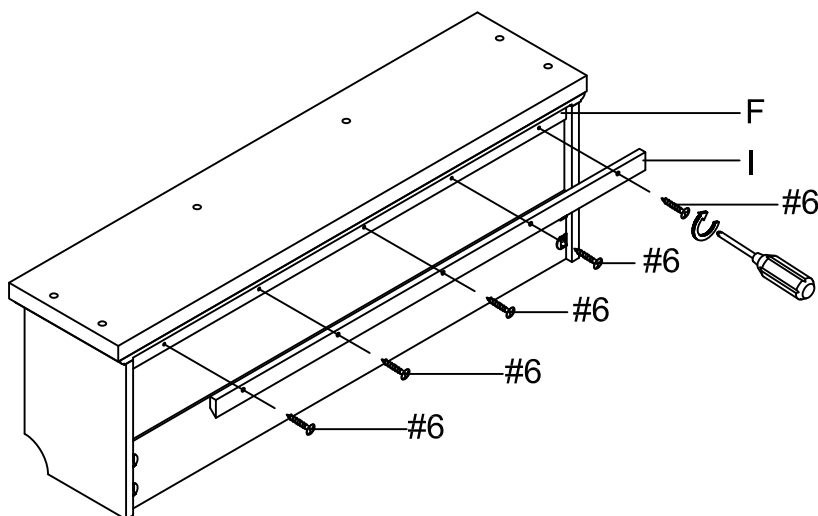
- #2  x 6
- #3  x 6
- #4  x 6
- #8  x 7
- #10  x 1

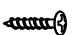
Step 6. Attach screws (part #6) to bottom rail (part G) using phillips head screwdriver.



#6  x 2

Step 7. Attach long support plate (part I) to top rail (part F) using screws (part #6) and phillips head screwdriver.



#6  x 5

Step 8. Hold short support plate (part J) in the desired location of storage shelf. The short support plate (part J) will be about 2" lower than the top of storage shelf. Level short support plate (part J) using a leveler to make sure it's oriented correctly. Use a pencil to mark wall anchors location using short support plate (part J) screw holes as a guide. Drill four 11/32" holes in these marked spots and tap wall anchors (part #11) into the drilled holes. Secure short support plate (part J) to wall anchors (part #11) using long screws (part #7) and phillips head screwdriver. Mount storage shelf by hooking long support plate (part I) onto short support plate (part J).

